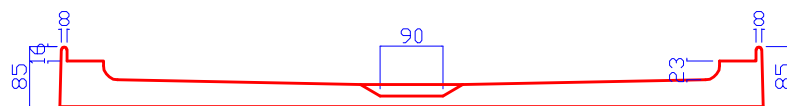
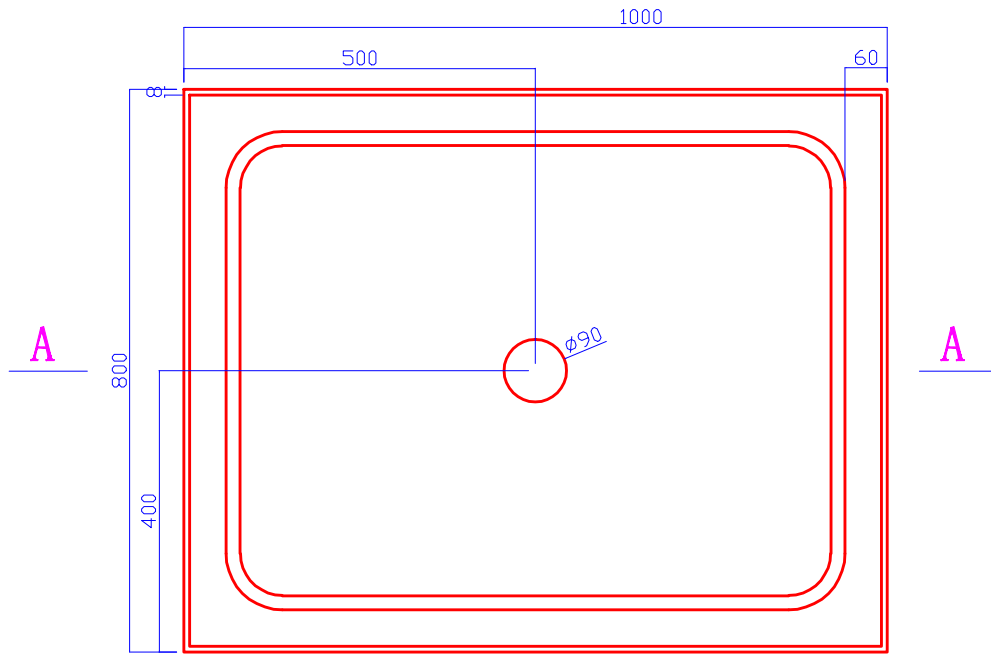
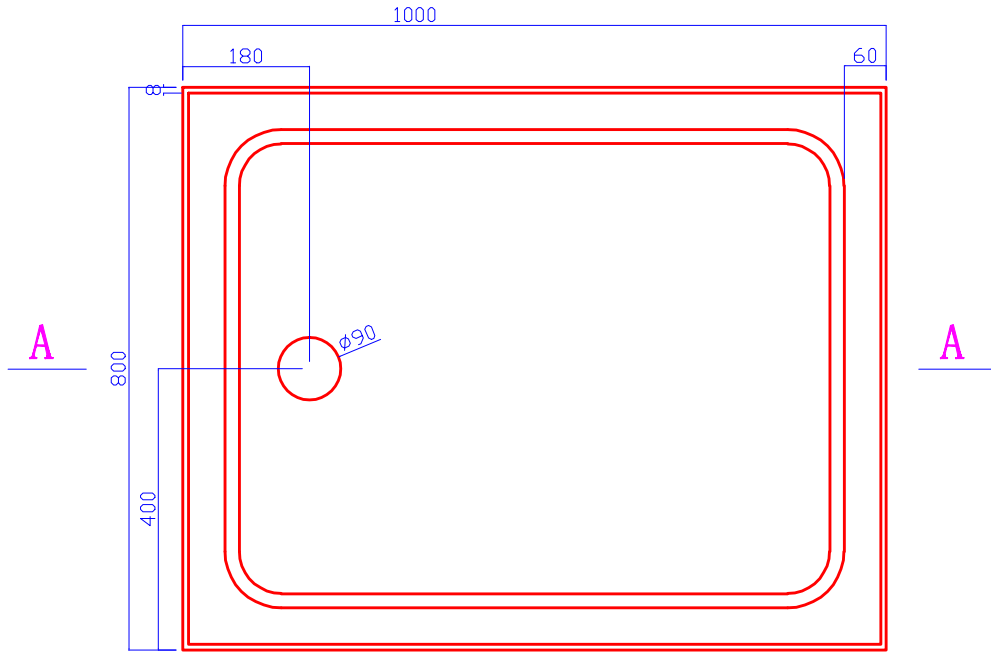


800*1000 rectangular (central drainage, waterproof edges on all sides)



A-A

800*1000 square (corner drainage, waterproof edges on all sides)



A-A